

Power and Interface Connections for 100W and 210W Units

AC INPUT—6 PIN MOLEX 09-50-8061

| PIN | SIGNAL | PARAMETERS |
|-----|--------------------|----------------------|
| 1 | AC Input (high) | 100-240Vac (high) |
| 2 | Pin Removed | N/C |
| 3 | AC Input (neutral) | 100-240Vac (neutral) |
| 4 | Pin Removed | N/C |
| 5 | N/C | N/C |
| 6 | N/C | N/C |

ANALOG INTERFACE—7 PIN MOLEX 09-50-8071

| PIN | SIGNAL | PARAMETERS |
|-----|-------------------------------|-----------------------------------------------------------------------------------------------|
| 1 | X-Ray Interlock Enable | Apply +24Vdc to enable interlock. Open/removal of +24Vdc will cause X-Ray generation to stop. |
| 2 | X-Ray Interlock Enable Return | Ground reference for X-Ray Interlock. |
| 3 | Pin removed | N/C |
| 4 | kV Monitor | 0-10Vdc = 0-100% rated output voltage. Zout = 10kΩ |
| 5 | Signal Ground | Signal Ground |
| 6 | mA Monitor | 0-10Vdc = 0-100% rated output current. Zout = 10kΩ |
| 7 | Fault Signal | Open collector, High (Open) = No Fault, 35Vdc @10mA maximum |

RS-232 DIGITAL INTERFACE—9 PIN MALE D CONNECTOR

| PIN | SIGNAL | PARAMETERS |
|-----|------------------|--------------------------|
| 1 | N/C | N/C |
| 2 | Transmitted Data | Conforms to EIA RS-232-C |
| 3 | Received Data | Conforms to EIA RS-232-C |
| 4 | N/C | N/C |
| 5 | Signal Ground | Signal Ground |
| 6 | N/C | N/C |
| 7 | N/C | N/C |
| 8 | N/C | N/C |
| 9 | N/C | N/C |

ETHERNET DIGITAL INTERFACE—RJ45 8 PIN FEMALE CONNECTOR

| PIN | SIGNAL | PARAMETERS |
|-----|--------|-----------------|
| 1 | TX + | Transmit Data + |
| 2 | TX - | Transmit Data - |
| 3 | RX + | Receive Data + |
| 4 | N/C | No Connection |
| 5 | N/C | No Connection |
| 6 | RX - | Receive Data - |
| 7 | N/C | No Connection |
| 8 | N/C | No Connection |

HV LAMP ON RELAY—3 PIN MOLEX 09-50-8031

| PIN | SIGNAL | PARAMETERS |
|-----|-----------------------------|-----------------------------------------------------|
| 1 | Normally Closed dry contact | 50V max. Rated for 1 amp or less, 50mA nominal load |
| 2 | Common | 50V max. Rated for 1 amp or less, 50mA nominal load |
| 3 | Normally Open dry contact | 50V max. Rated for 1 amp or less, 50mA nominal load |

Power and Interface Connections for 350W and 500W Units

AC INPUT—3 PIN PHOENIX CONTACT 1858772

| PIN | SIGNAL | PARAMETERS |
|-----|--------------------|----------------------|
| 1 | AC Input (high) | 100-240Vac (high) |
| 2 | Ground | Ground |
| 3 | AC Input (neutral) | 100-240Vac (neutral) |

DC INPUT FOR HEAT DISSIPATION—4 PIN AMP (210/350/500W) 206060-1

| PIN | SIGNAL | DESCRIPTION | PARAMETERS |
|-----|--------------|----------------|----------------|
| 1 | 24Vdc | Fan/Pump Power | 24Vdc @ 5 amps |
| 2 | 24Vdc Return | | |
| 3 | N/C | No Connection | N/C |
| 4 | N/C | No Connection | N/C |

It is critical to ensure that 24Vdc is supplied to pins 1 and 2

ANALOG INTERFACE—10 PIN PHOENIX CONTACT 1792605

| PIN | SIGNAL | PARAMETERS |
|-----|-------------------------------|-----------------------------------------------------------------------------------------------|
| 1 | X-Ray Interlock Enable | Apply +24Vdc to enable interlock. Open/removal of +24Vdc will cause X-Ray generation to stop. |
| 2 | X-Ray Interlock Enable Return | Ground reference for X-Ray Interlock. |
| 3 | Pin removed | N/C |
| 4 | kV Monitor | 0-10Vdc = 0-100% rated output voltage. Zout = 10kΩ |
| 5 | Signal Ground | Signal Ground |
| 6 | mA Monitor | 0-10Vdc = 0-100% rated output current. Zout = 10kΩ |
| 7 | Fault Signal | Open collector, High (Open) = No Fault, 35Vdc @ 10mA maximum |
| 8 | HV ON Lamp Relay N/O | N/O dry contacts. 50 volts maximum. Rated for 1 amp or less, 50mA nominal load |
| 9 | HV ON Lamp Relay C | Common dry contacts. 50 volts maximum. Rated for 1 amp or less, 50mA nominal load |
| 10 | HV ON Lamp Relay N/C | N/C dry contacts. 50 volts maximum. Rated for 1 amp or less, 50mA nominal load |

RS-232 DIGITAL INTERFACE—9 PIN MALE D CONNECTOR

| PIN | SIGNAL | PARAMETERS |
|-----|------------------|--------------------------|
| 1 | N/C | N/C |
| 2 | Transmitted Data | Conforms to EIA RS-232-C |
| 3 | Received Data | Conforms to EIA RS-232-C |
| 4 | N/C | N/C |
| 5 | Signal Ground | Signal Ground |
| 6 | N/C | N/C |
| 7 | N/C | N/C |
| 8 | N/C | N/C |
| 9 | N/C | N/C |

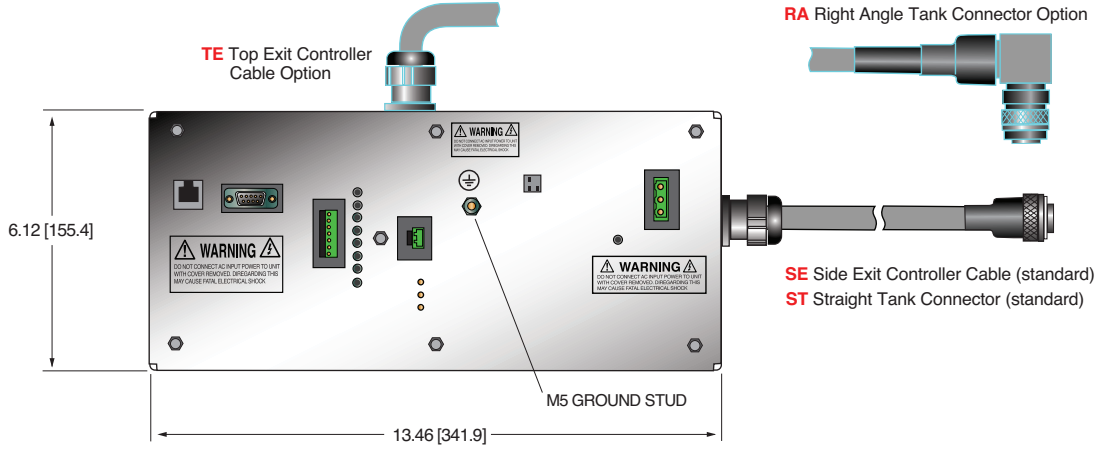
ETHERNET DIGITAL INTERFACE—RJ45 8 PIN FEMALE CONNECTOR

| PIN | SIGNAL | PARAMETERS |
|-----|--------|-----------------|
| 1 | TX + | Transmit Data + |
| 2 | TX - | Transmit Data - |
| 3 | RX + | Receive Data + |
| 4 | N/C | No Connection |
| 5 | N/C | No Connection |
| 6 | RX - | Receive Data - |
| 7 | N/C | No Connection |
| 8 | N/C | No Connection |

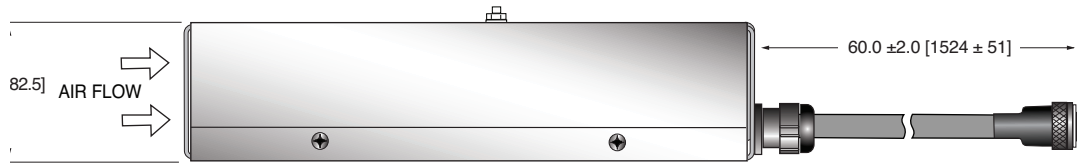
DIMENSIONS: in.[mm]

100/210W CONTROL UNIT

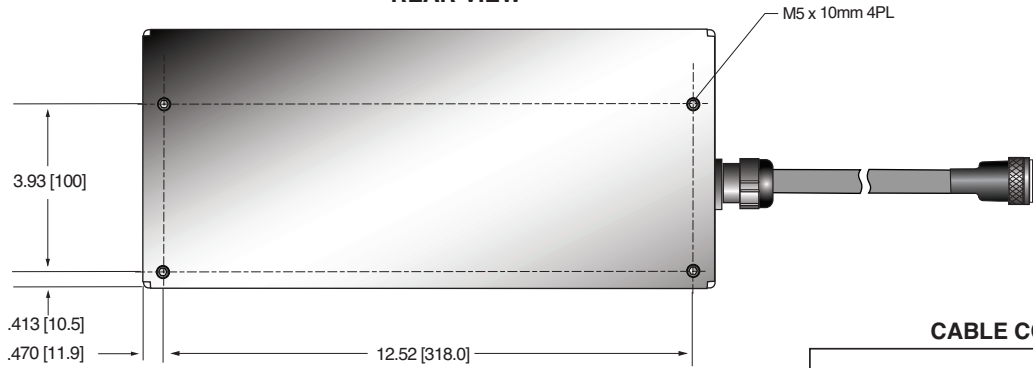
FRONT VIEW



BOTTOM VIEW



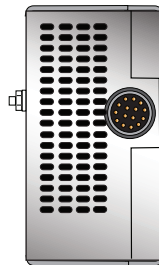
REAR VIEW



SIDE VIEW

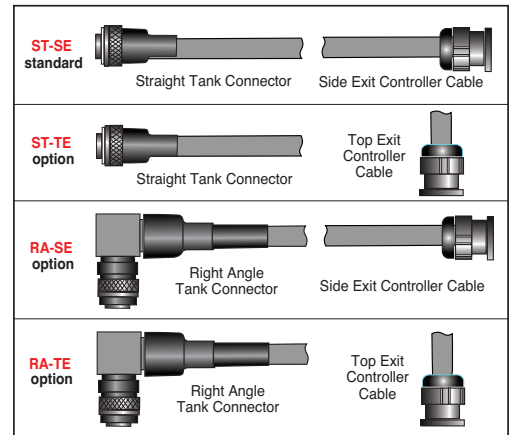


SIDE VIEW



Standard
SE Side Exit shown

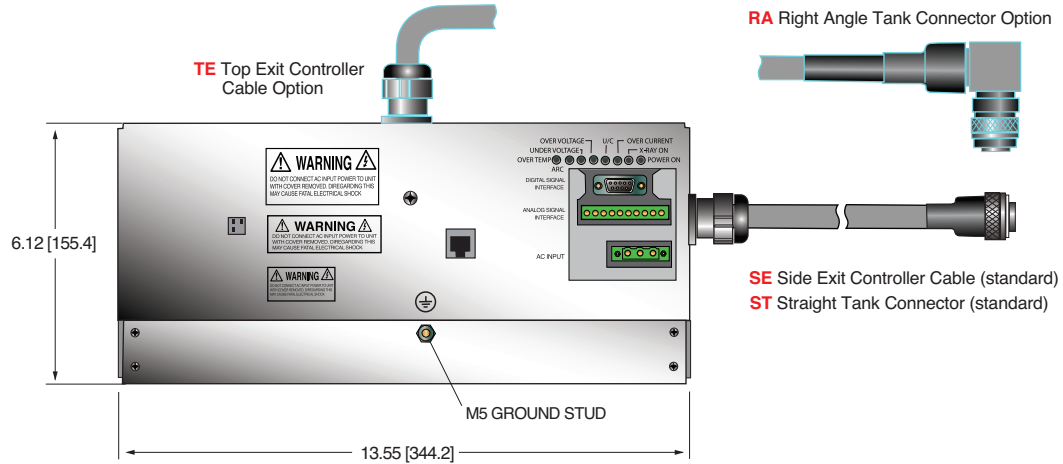
CABLE CONFIGURATIONS



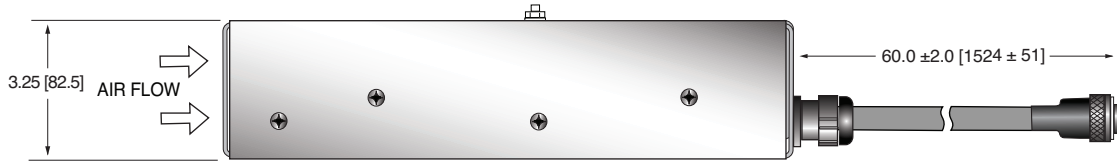
DIMENSIONS: in.[mm]

350/500W CONTROL UNIT

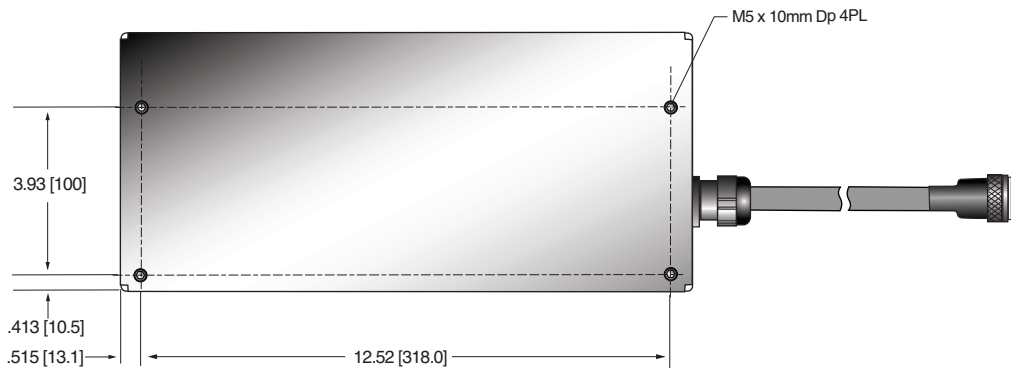
FRONT VIEW



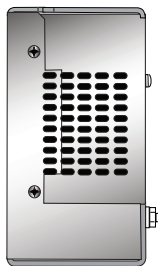
BOTTOM VIEW



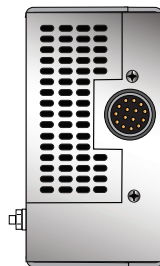
REAR VIEW



SIDE VIEW



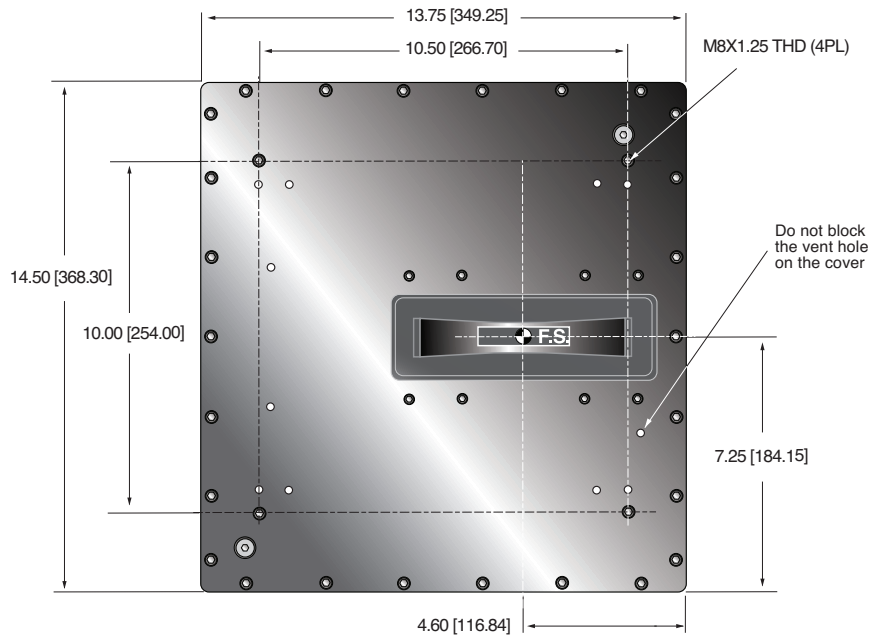
SIDE VIEW



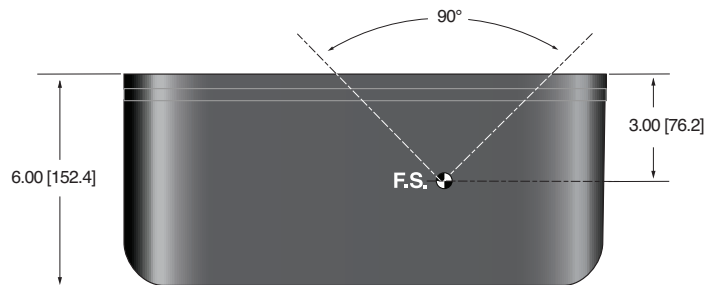
Standard
SE Side Exit
shown

DIMENSIONS: in.[mm]

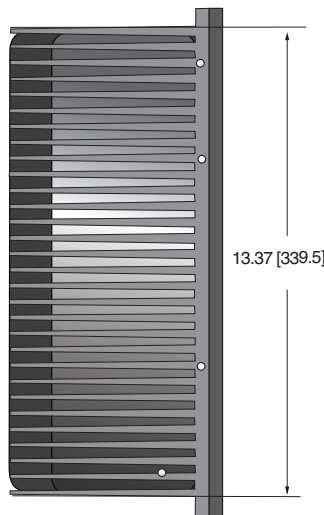
100W TANK TOP VIEW



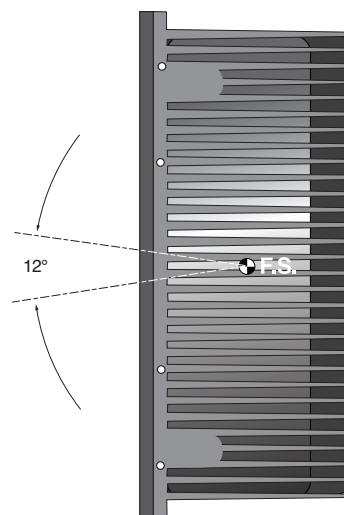
SIDE VIEW



BACK VIEW

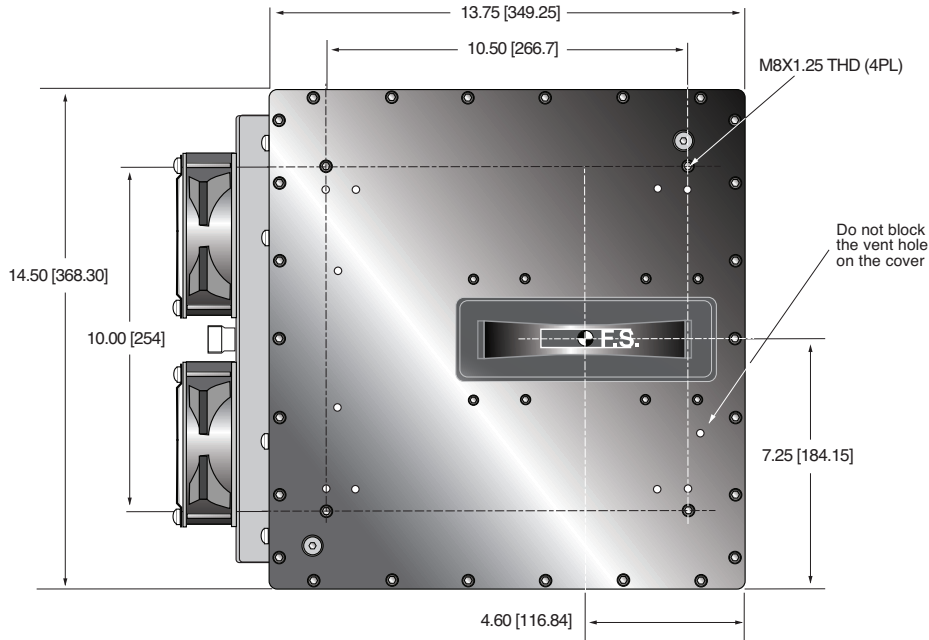


FRONT VIEW

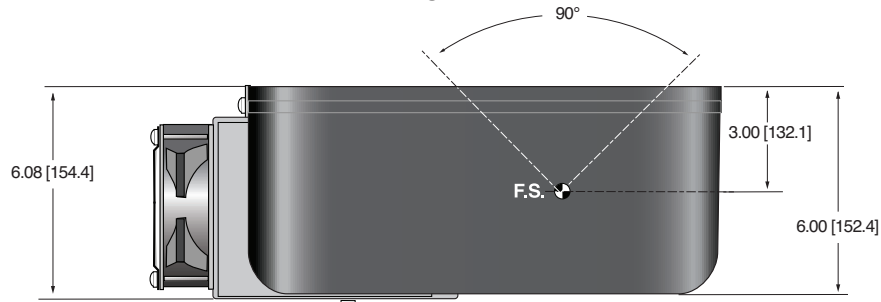


DIMENSIONS: in.[mm]

210W TANK TOP VIEW



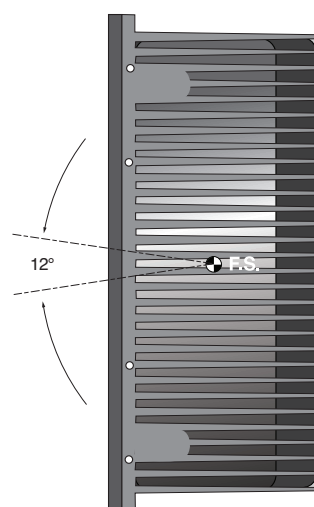
SIDE VIEW



BACK VIEW

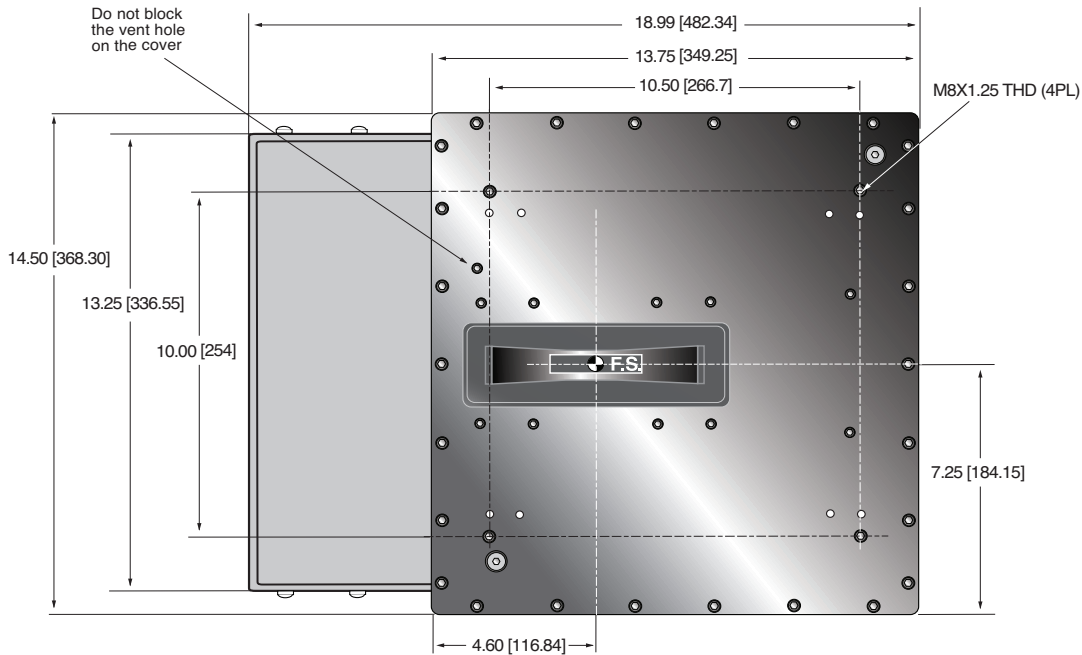


FRONT VIEW

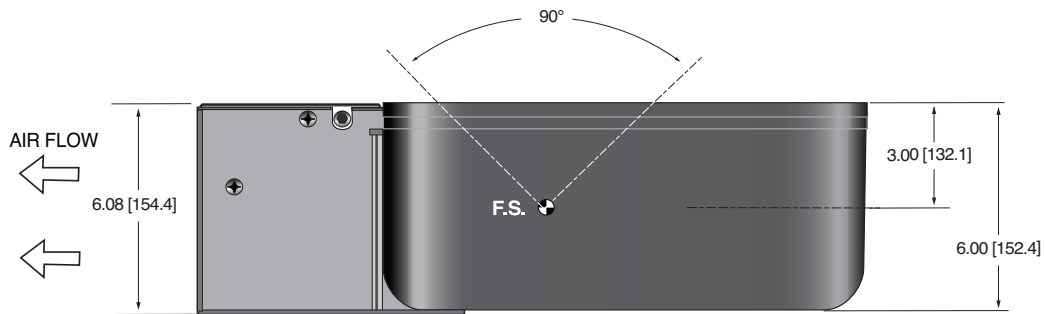


DIMENSIONS: in.[mm]

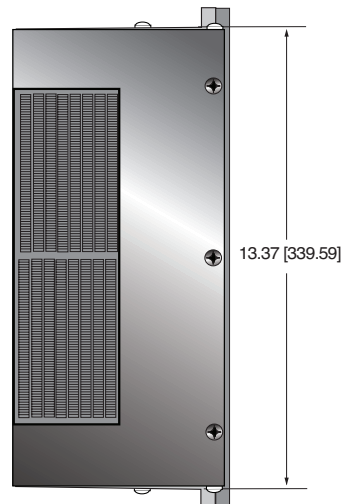
350/500W TANK TOP VIEW



SIDE VIEW



BACK VIEW



FRONT VIEW

