







50Wモデル ご注文方法：

**Medical Applications:**

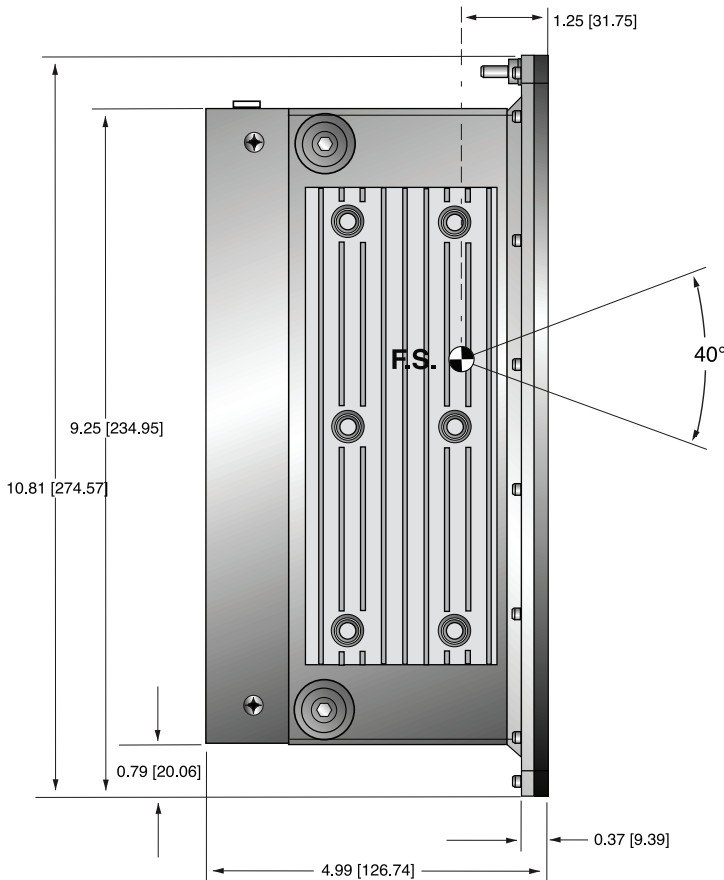
- XRB011-80PN50 80kV, 700uA, 50W, Analog Interface, RS-232
- XRB011-80PN50E 80kV, 700uA, 50W, Analog Interface, RS-232, Ethernet
- XRB011-80PN50A 80kV, 700uA, 50W, Analog Interface

**Non-Medical Applications:**

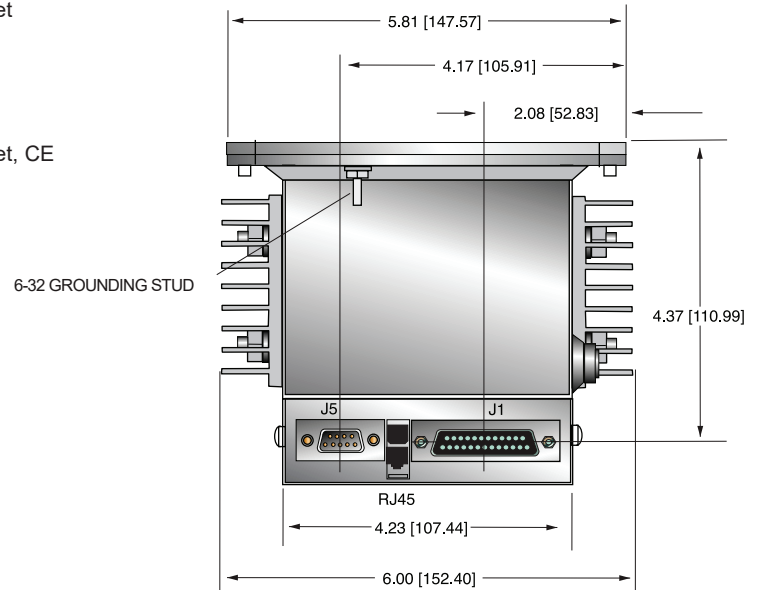
- XRB011-80PN50/CE 80kV, 700uA, 50W, Analog Interface, RS-232, CE
- XRB011-80PN50E/CE 80kV, 700uA, 50W, Analog Interface, RS-232, Ethernet, CE
- XRB011-80PN50A/CE 80kV, 700uA, 50W, Analog Interface, CE

**XRB011**  
**50Wモデル**  
単位：inch[mm]

**SIDE VIEW**



**FRONT VIEW**



**TOP VIEW**

