



Spellman's XRBD Series of Monoblock® X-Ray sources are designed for OEM applications powering their internal bipolar X-Ray tube at 160kV at power levels of 100W, 210W, 350W and 500W. Features such as universal input, compact package size and a standard RS-232 digital interface simplify integration of any XRBD model into your X-Ray system. Each XRBD model is available with fan shaped (standard) or cone shaped (optional) beam geometries. Proprietary emission control circuitry provides excellent regulation of X-Ray tube current, along with outstanding stability performance.

TYPICAL APPLICATIONS

Food Inspection Systems, Fill Level Confirmation Systems, Security Scanning Systems, Industrial NDT Systems, Thickness/Plating Measurement Systems

OPTIONS

CB	Cone Beam
.5mm	.5mm focal spot X-Ray tube
RA	Controller to tank right angle connector
TE	Controller to tank top exit cable

SPECIFICATIONS

X-Ray Characteristics:

Focal Spot: 0.8mm (IEC 336) standard
0.5mm (IEC 336) optional

Beam Filter:

Ultem: 1.50mm ±0.15mm
Oil: 9.0mm ±0.25mm
Glass: 1.7mm ±0.2mm
Be: 0.8mm

Beam Geometry:

Fan: Standard. The beam angular coverage will be 90° with the beam plane perpendicular to the X-Ray tube axis and 12° wide (with a 2° tolerance)
Cone: Optional. 40° cone beam (with a 2° tolerance)

Input Voltage:

100-240Vac, ±10%, 50/60 Hertz, .98 power factor

Input Current:

100W @ 1.4A
210W @ 2.8A
350W @ 4.6A
500W @ 6.6A

- **Compact & Lightweight**
- **Universal Input, Power Factor Corrected**
- **Can be Mounted in Any Physical Orientation**
- **Analog Monitoring Interface, Standard RS-232 Digital Interface and Ethernet**
- **Data Logging and Firmware Controlled X-Ray Tube Seasoning**

X-Ray Tube Voltage:

See table

X-Ray Tube Current:

See table

X-Ray Tube Power:

See table

Voltage Regulation:

Line: ±0.05% of maximum output voltage over a ±10% change of nominal input line voltage

Load: ±0.1% of maximum rated voltage for 150uA to full rated load change

Voltage Accuracy:

Voltage measured across the X-Ray tube is within ±2% of the programmed value

Voltage Risetime:

Standard ramp time shall be <500ms from 10% to 90% of maximum rated output voltage

Voltage Ripple:

0.5% peak to peak of maximum voltage for frequencies ≤1kHz

Emission Current Parameters

Current Regulation:

Line: ±0.05% of rated output current over a ±10% change of nominal input line voltage

Load: ±0.1% of rated output current for a change from 50% to 100% of rated output voltage

Current Accuracy:

Current measured through the X-Ray tube is within ±2% of the programmed value

Current Risetime:

Standard ramp time shall be <500ms from 10% to 90% of maximum rated current

Arc Intervention:

4 arcs in 10 seconds with a 100ms quench/100ms re-ramp = Shutdown

Filament Configuration:

Internal floating AC filament drive with closed loop filament emission control circuitry

Analog Interface:

Ground referenced 0 to 9Vdc for all monitoring signals. Relay contacts and open collector signals for other signals. See analog interface connector pin out table.

Digital Interface:

The RS-232 interface allows for programming of kV, mA output and X-Ray enable. Provides monitoring for kV, mA output and oil temperature.

Operating Temperature:

0°C to +40°C

Storage Temperature:

-40°C to +70°C

Humidity:

10% to 95% relative humidity, non-condensing

Cooling:

X-Ray Tank:

- 100W: Convection/customer supplied forced air so tank is <55°C
- 210W: Externally powered forced air cooling, 24Vdc @ 2A
- 350/500W: Externally powered forced air cooling with oil pump and heat exchanger, 24Vdc @ 5A

Controller: Forced air via internal fan.

Grounding Point:

- M5 ground female thread on tank
- M5 ground stud on control chassis provided

Dimensions:

see drawings

Weight:

- X-Ray Tank:
 - 100/210W @ 78lbs. (35.4kg)
 - 350/500W @ 84.5lbs. (38.3kg)
- Controller:
 - 100W/210W: 4 pounds (1.18kg)
 - 350W/500W: 7 pounds (3.18kg)

Orientation:

Can be mounted in any orientation.

X-Ray Leakage:

Not to be greater than 0.5mR/hr at 5cm outside the external surface.

Regulatory Approvals:

- Designed to meet UL/EN61010-1
- Designed to meet EN61326-1
- (may require an external line filter)

LED INDICATORS for 100W and 200W Units

INDICATOR	SIGNAL	CONDITION Illuminated When...	LED COLOR
1	OV Error 6	High kV occurs	Red
2	UV Error 5	Low kV occurs	Red
3	UC Error 4	Low mA occurs	Red
4	Power On	AC input power is present	Green
5	OC Error 3	High mA occurs	Red
6	ARC Error 2	Arc fault occurs	Red
7	OT Error 1	Over temperature occurs	Red
8	X-Ray On	X-Rays are being generated	Green

LED INDICATORS for 350W and 500W Units

INDICATOR	SIGNAL	CONDITION Illuminated When...	LED COLOR
1	OV Error 6	High kV occurs	Red
2	UV Error 5	Low kV occurs	Red
3	UC Error 4	Low mA occurs	Red
4	OC Error 3	High mA occurs	Red
5	ARC Error 2	Arc fault occurs	Red
6	OT Error 1	Over temperature occurs	Red
7	X-Ray On	X-Rays are being generated	Green
8	Power On	AC input power is present	Green

SMART XRB

The XRBD has two new digital features: data logging and firmware controlled seasoning.

Data Logging:

Think of this as an "airplane black box". The data logging captures data on fault events and non-fault events. Fault events will turn off the high voltage:

FAULT EVENTS

- Temperature
- High Current
- High Voltage
- Power Fault
- Arc
- Low Voltage
- Watchdog
- Interlock

The XRBD stores data 620ms before the event, the event itself and for 620ms after the event. Data is recorded every 20ms (62 samples total) showing:

- Anode kV
- Total kV
- Filament
- Cathode kV
- Total mA
- Temperature

We also log non-fault events, these are changes in set points or state of the unit.

NON FAULT EVENTS

- HV On
- kV Set point
- Low Current
- Pre Heat Set point
- HV Off
- mA Set point
- Filament Limit Set point
- Line Dip

Fault event data is actual graphical data. Non fault event data is just stored as event type, data and timestamp. We also have a preventative maintenance fault, which throws a non-shutdown fault if the X-Ray tube has been factory installed over 4 years ago or if over 15,000 hours of HV ON is logged.

Firmware Controlled Seasoning:

Every unit comes with an initial seasoning table, or customers can set their own. The XRBD knows when the unit has been on, when it has been off, hours on the X-Ray tube, etc. As a preventative maintenance feature upon turn on, we review the data and suggest that a particular seasoning protocol be run based upon the actual usage history of the unit. Proper seasoning compliance of the X-Ray tube will help get the longest lifetime.

MODEL SELECTION TABLE

Model	Max. Voltage	Max. Current	Max. Power
XRBD160PN100	160kV	1mA	100 watts
XRBD160PN210	160kV	2.1mA	210 watts
XRBD160PN350	160kV	3.5mA	350 watts
XRBD160PN500	160kV	4mA	500 watts

Power and Interface Connections for 100W and 210W Units

AC INPUT—6 PIN MOLEX 09-50-8061

PIN	SIGNAL	PARAMETERS
1	AC Input (high)	100-240Vac (high)
2	Pin Removed	N/C
3	AC Input (neutral)	100-240Vac (neutral)
4	Pin Removed	N/C
5	N/C	N/C
6	N/C	N/C

ANALOG INTERFACE—7 PIN MOLEX 09-50-8071

PIN	SIGNAL	PARAMETERS
1	X-Ray Interlock Enable	Apply +24Vdc to enable interlock. Open/removal of +24Vdc will cause X-Ray generation to stop.
2	X-Ray Interlock Enable Return	Ground reference for X-Ray Interlock.
3	Pin removed	N/C
4	kV Monitor	0-10Vdc = 0-100% rated output voltage. Zout = 10kΩ
5	Signal Ground	Signal Ground
6	mA Monitor	0-10Vdc = 0-100% rated output current. Zout = 10kΩ
7	Fault Signal	Open collector, High (Open) = No Fault, 35Vdc @10mA maximum

RS-232 DIGITAL INTERFACE—9 PIN MALE D CONNECTOR

PIN	SIGNAL	PARAMETERS
1	N/C	N/C
2	Transmitted Data	Conforms to EIA RS-232-C
3	Received Data	Conforms to EIA RS-232-C
4	N/C	N/C
5	Signal Ground	Signal Ground
6	N/C	N/C
7	N/C	N/C
8	N/C	N/C
9	N/C	N/C

ETHERNET DIGITAL INTERFACE—RJ45 8 PIN FEMALE CONNECTOR

PIN	SIGNAL	PARAMETERS
1	TX +	Transmit Data +
2	TX -	Transmit Data -
3	RX +	Receive Data +
4	N/C	No Connection
5	N/C	No Connection
6	RX -	Receive Data -
7	N/C	No Connection
8	N/C	No Connection

HV LAMP ON RELAY—3 PIN MOLEX 09-50-8031

PIN	SIGNAL	PARAMETERS
1	Normally Closed dry contact	50V max. Rated for 1 amp or less, 50mA nominal load
2	Common	50V max. Rated for 1 amp or less, 50mA nominal load
3	Normally Open dry contact	50V max. Rated for 1 amp or less, 50mA nominal load

Power and Interface Connections for 350W and 500W Units

AC INPUT—3 PIN PHOENIX CONTACT 1858772

PIN	SIGNAL	PARAMETERS
1	AC Input (high)	100-240Vac (high)
2	Ground	Ground
3	AC Input (neutral)	100-240Vac (neutral)

DC INPUT FOR HEAT DISSIPATION UNIT—4 PIN AMP (210/350/500W) 206060-1

PIN	SIGNAL	DESCRIPTION	PARAMETERS
1	24Vdc	Fan/Pump Power	24Vdc @ 5 amps
2	24Vdc Return		
3	N/C	No Connection	N/C
4	N/C	No Connection	N/C

It is critical to ensure that 24Vdc is supplied to pins 1 and 2

ANALOG INTERFACE—10 PIN PHOENIX CONTACT 1792605

PIN	SIGNAL	PARAMETERS
1	X-Ray Interlock Enable	Apply +24Vdc to enable interlock. Open/removal of +24Vdc will cause X-Ray generation to stop.
2	X-Ray Interlock Enable Return	Ground reference for X-Ray Interlock.
3	Pin removed	N/C
4	kV Monitor	0-10Vdc = 0-100% rated output voltage. Zout = 10kΩ
5	Signal Ground	Signal Ground
6	mA Monitor	0-10Vdc = 0-100% rated output current. Zout = 10kΩ
7	Fault Signal	Open collector, High (Open) = No Fault, 35Vdc @ 10mA maximum
8	HV ON Lamp Relay N/O	N/O dry contacts. 50 volts maximum. Rated for 1 amp or less, 50mA nominal load
9	HV ON Lamp Relay C	Common dry contacts. 50 volts maximum. Rated for 1 amp or less, 50mA nominal load
10	HV ON Lamp Relay N/C	N/C dry contacts. 50 volts maximum. Rated for 1 amp or less, 50mA nominal load

RS-232 DIGITAL INTERFACE—9 PIN MALE D CONNECTOR

PIN	SIGNAL	PARAMETERS
1	N/C	N/C
2	Transmitted Data	Conforms to EIA RS-232-C
3	Received Data	Conforms to EIA RS-232-C
4	N/C	N/C
5	Signal Ground	Signal Ground
6	N/C	N/C
7	N/C	N/C
8	N/C	N/C
9	N/C	N/C

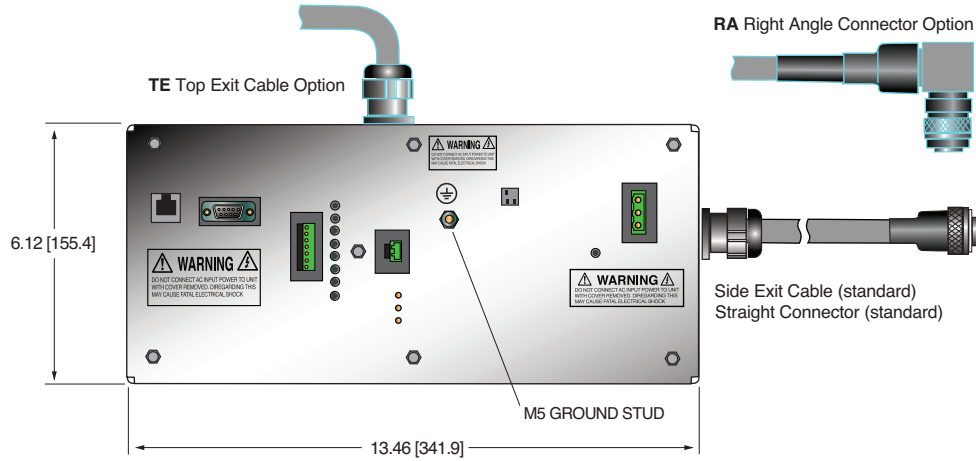
ETHERNET DIGITAL INTERFACE—RJ45 8 PIN FEMALE CONNECTOR

PIN	SIGNAL	PARAMETERS
1	TX +	Transmit Data +
2	TX -	Transmit Data -
3	RX +	Receive Data +
4	N/C	No Connection
5	N/C	No Connection
6	RX -	Receive Data -
7	N/C	No Connection
8	N/C	No Connection

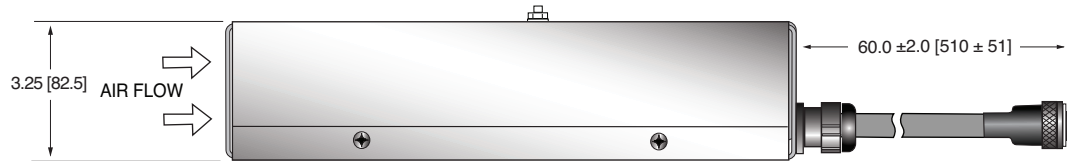
DIMENSIONS: in.[mm]

100/210W CONTROL UNIT

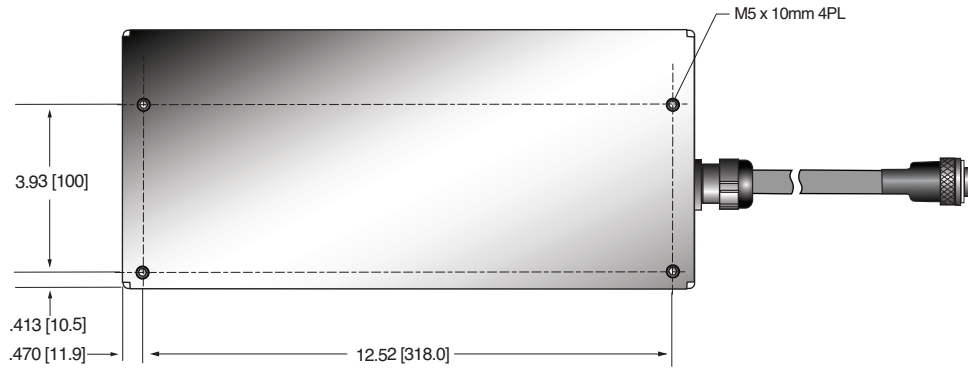
FRONT VIEW



BOTTOM VIEW



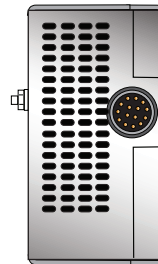
REAR VIEW



SIDE VIEW



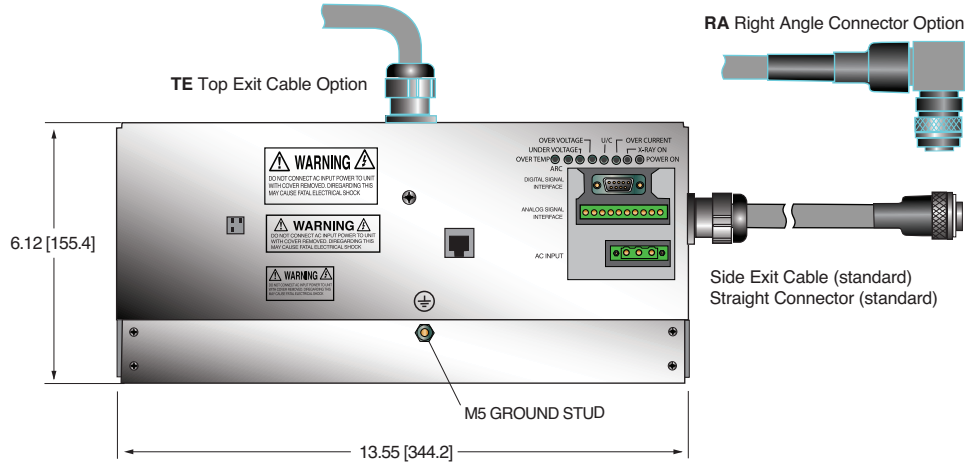
SIDE VIEW



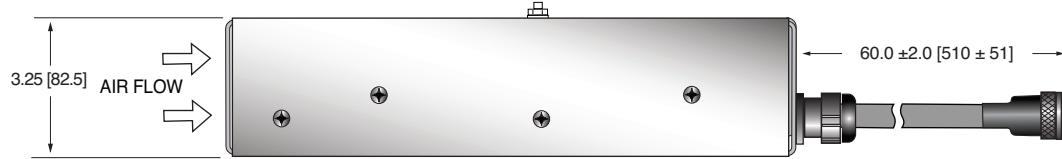
DIMENSIONS: in.[mm]

350/500W CONTROL UNIT

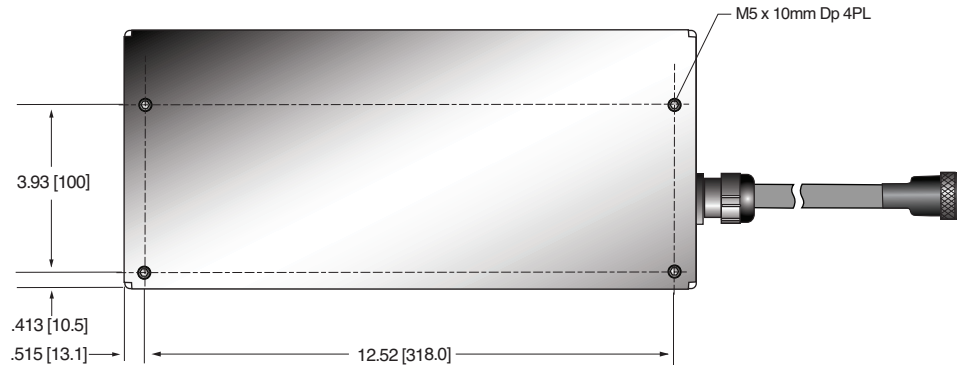
FRONT VIEW



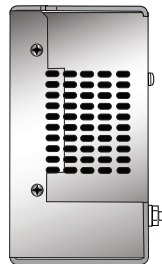
BOTTOM VIEW



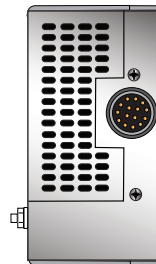
REAR VIEW



SIDE VIEW

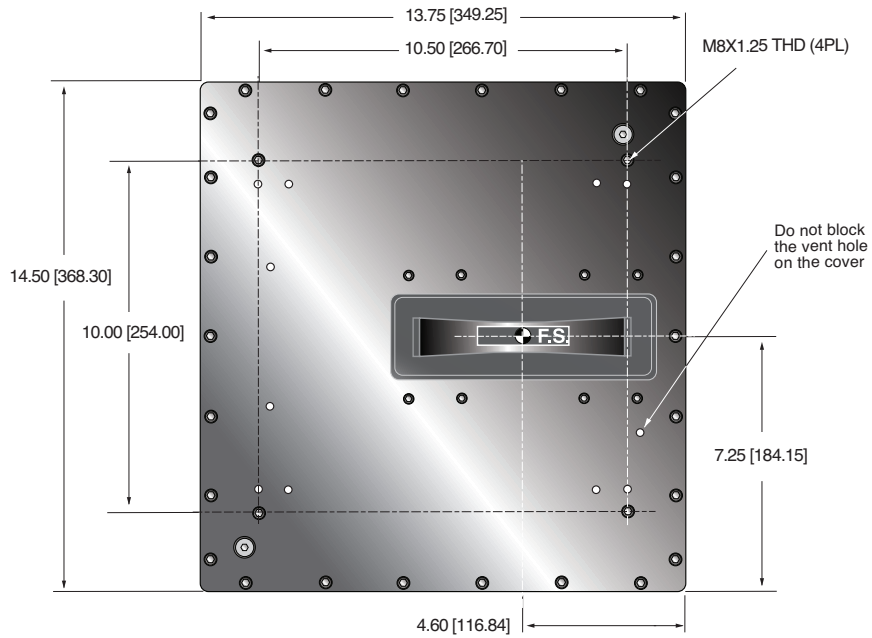


SIDE VIEW

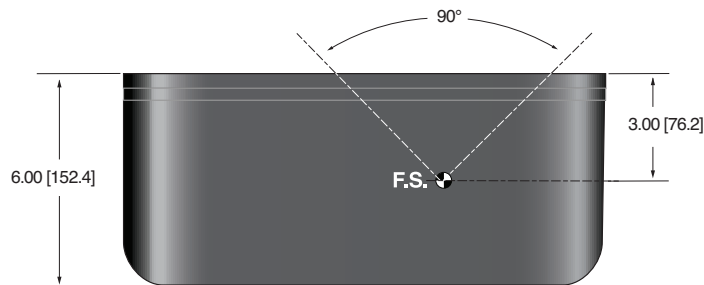


DIMENSIONS: in.[mm]

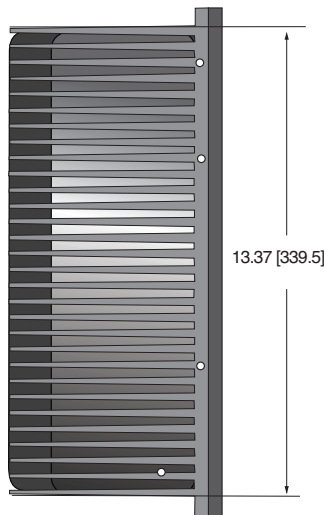
100W TANK TOP VIEW



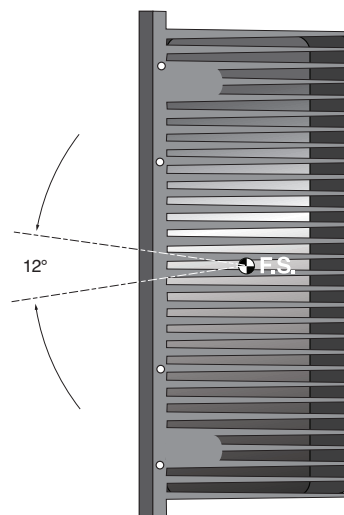
SIDE VIEW



BACK VIEW

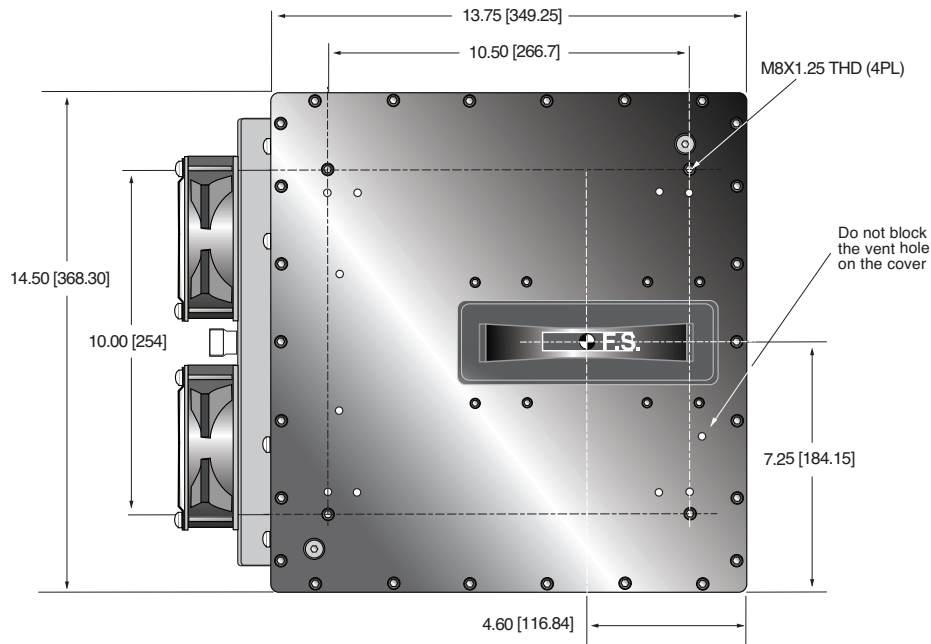


FRONT VIEW

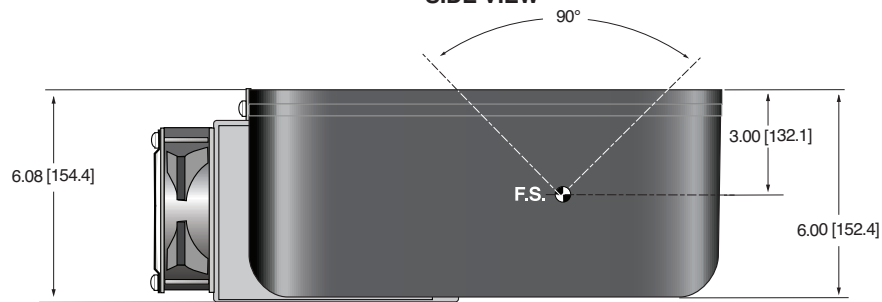


DIMENSIONS: in.[mm]

210W TANK TOP VIEW



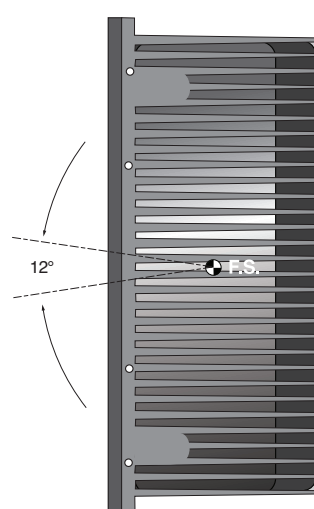
SIDE VIEW



BACK VIEW



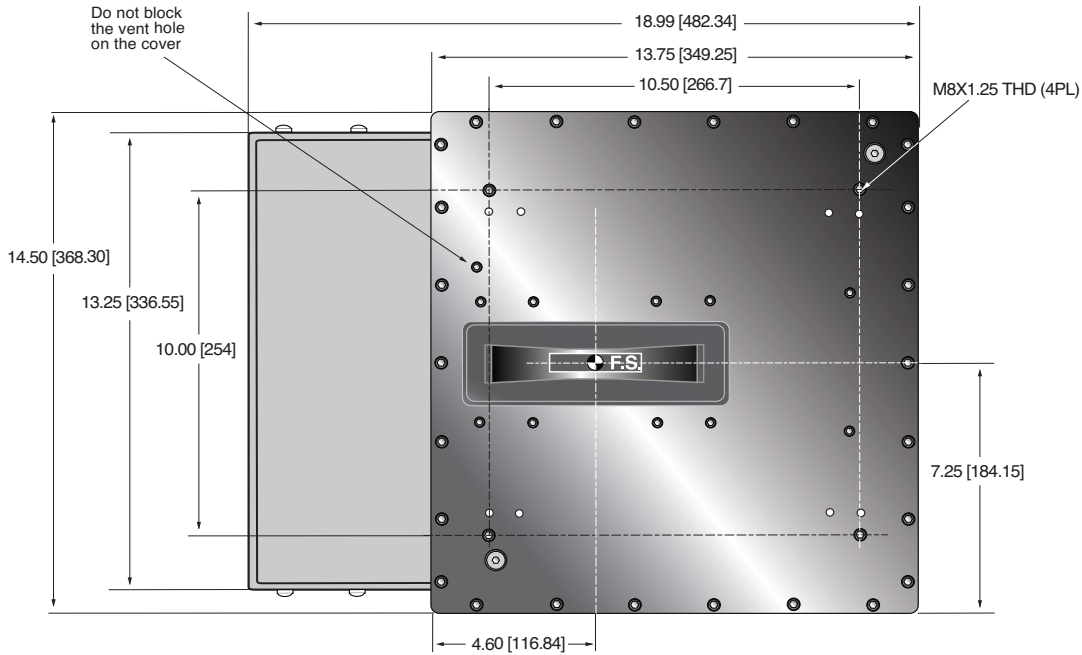
FRONT VIEW



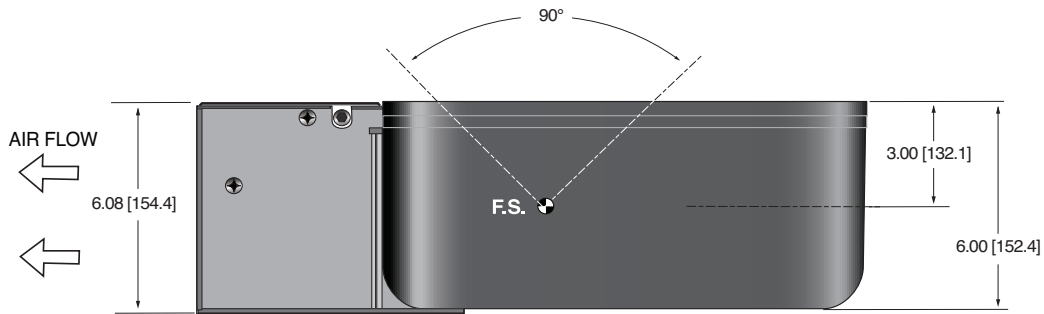
DIMENSIONS: in.[mm]

350/500W TANK

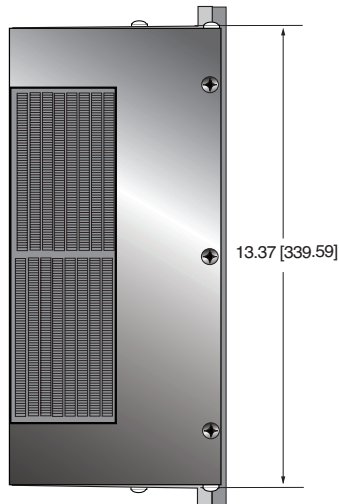
TOP VIEW



SIDE VIEW



BACK VIEW



FRONT VIEW

