



- **Differential Input for Voltage Program**
- **Optional RS-232/RS-485 Control**
- **10 Watts Output Power**
- **Voltage and Current Monitors and Controls**
- **High Stability**
- **Ultra Low Ripple and Noise**
- **CE Marked and UL61010-1 Certified**

www.spellmanhv.com/manuals/MPS Operators Manual
www.spellmanhv.com/MPS/faq FAQ's
www.spellmanhv.com/MPS/dcc Digital Interface

Spellman's new MPS series are a family of high voltage 10 Watt modules that provide output voltages ranging from 1kV to 30kV.

The MPS series are high performance products designed with Spellman's hybrid topology of linear and switch mode power conversion techniques delivering lower noise with higher efficiency. The MPS series produces excellent ripple and stability performance specifications from a compact footprint. Additionally the MPS series features, as standard, a differential amplifier input for the voltage programming signal to improve immunity from external system noise and addressing any offset issues. Alternatively the output voltage may be pre-set by an internal potentiometer.

A fully featured remote user interface is provided via 15-pin D-type connector as standard and an optional RS-232 or RS-485 serial interface is also available.

Spellman's proprietary HV technology coupled with SMT circuitry results in an ultra compact and lightweight module that is available as either a positive or negative supply that is ideal for OEM applications.

TYPICAL APPLICATIONS

Photomultiplier Tubes	Electrostatic Printing
Electron and Ion Beams	Scintillators
Electronmultiplier Detectors	Mass Spectrometry
Microchannel Plate Detectors	Electrostatic Lenses
Nuclear Instruments	

OPTIONS

VCC	Variable Current Control
HS	High Stability
DCC 2	RS-232
DCC 4	RS-485

Note: It is not possible to supply the unit with both full HS and DCC options

SPECIFICATIONS

Input Voltage:

+24 Vdc, ±2Vdc

Input Current:

≤1 amp maximum

Output Voltage:

9 models available from 1kV to 30kV

Output Polarity:

Positive or negative, specify at time of order

Power:

10 watts, maximum

Voltage Regulation:

Line: ≤0.001% of rated output voltage over specified input voltage

Load: ≤0.001% of rated output voltage for full load change

Current Regulation (VCC Option):

Line: ≤0.01% for 1V input voltage change under any load conditions

Load: ≤0.01% for full load to short circuit

Ripple:

See "model selection" table

Stability:

≤0.007% per hour, 0.02% per 8 hours after 1.0 hour warm up period.
 ≤0.05% per 1000 hours after 1.0 hour warm up period (HS option)

Temperature Coefficient:

≤25ppm per degree C

≤10ppm per degree C (HS option)

Environmental:

Temperature Range:

Operating: 0°C to 50°C

Storage: -35°C to 85°C

Humidity:

20% to 85% RH, non-condensing

Cooling:

Convection cooled

Dimensions:

- 1-10kV: 1.18" H X 2.75" W X 5.12" D (30mm x 70mm x 130mm)
- 15-20kV: 1.18" H X 2.75" W X 6.49" D (30mm x 70mm x 165mm)
- 30kV: 1.37" H X 2.95" W X 8.47" D (65mm x 75mm x 215mm)

Weight:

- 1-3kV: 9.88 oz. (280g)
- 5-10kV: 14.82 oz. (420g)
- 15-20kV: 22.92 oz. (650g)
- 30kV: 35.51 oz. (950g)

Interface Connector:

15 pin male D connector

Output Connector:

A captive 39.4" (1 meter) long shielded HV cable is provided

Regulatory Approvals:

Compliant to EEC EMC Directive. Compliant to EEC Low Voltage Directive. UL/CUL recognized, File E227588. RoHS compliant.

MPS ANALOG INTERFACE— 15 PIN D CONNECTOR (NON-DCC UNITS)

PIN	SIGNAL	SIGNAL PARAMETERS
1	Power/Signal Ground	Ground
2	+24Vdc Input	+24Vdc @ 1 amp maximum
3	Voltage Monitor Output	0 to 10Vdc=0 to 100% Rated Output, Zout =10kΩ
4	Local Programming Potentiometer Wiper Output	Potentiometer connected to +10Vdc and Ground, 0 to 10Vdc adjustable wiper output provided
5	Voltage Program Input	0 to 10Vdc=0 to 100% Rated Output, Zin=10MΩ
6	Voltage Program Differential Amplifier Output	0 to 10Vdc=0 to 100% Rated Output, Zout =10kΩ
7	Voltage Program Differential Amplifier Input—Positive	0 to 10Vdc differential between pin 7 and pin 9 = 0 to 100% of rated output, diode clamped to ground, Zin =38kΩ
8	Current Monitor Output	0 to 10Vdc = 0 to 100% Rated Output, Zout =10kΩ
9	Voltage Program Differential Amplifier Input—Negative	0 to 10Vdc differential between pin 7 and pin 9 = 0 to 100% of Rated Output, diode clamped to ground, Zin =38kΩ
10	No Connection	No Connection
11	Current Program Input	Standard: Internally connected to provide 110% fixed current limit VCC Option: 0 to 10Vdc=0 to 100% Rated Output, Zin=1MΩ
12	Enable Input	Low = Enable, TTL, CMOS, Open Collector Compliant
13	Internal Connection	No Connection
14	Vref (/HS unit only)	+10V ultra high stability reference output. On standard units the reference voltage is available on pin 4
15	Analog Signal Ground (15kV to 20kV units)	Analog Signal Ground (No connection for (1kV to 10kV units)

MPS ANALOG INTERFACE— 15 PIN D CONNECTOR (DCC UNITS)

PIN	SIGNAL	SIGNAL PARAMETERS
1	Power/Signal Ground	Ground
2	+24Vdc Input	+24Vdc @ 1 amp maximum
3	No Connection	No Connection
4	Local Programming Potentiometer Wiper Output	Potentiometer connected to +10Vdc and Ground, 0 to 10Vdc adjustable wiper output provided
5	No Connection	No Connection
6	No Connection	No Connection
7	No Connection	No Connection
8	No Connection	No Connection
9	No Connection	No Connection
10	No Connection	No Connection
11	No Connection	No Connection
12	Enable Input	Low = Enable, TTL, CMOS, open collector compliant
13	No Connection	No Connection
14	TxD	Transmit data (output) with respect to ground (pin 1)
15	RxD	Receive data (input) with respect to ground (pin 1)

- Notes: 1.) The DCC option operated via a simple ASCII protocol. Contact us for more information.
2.) The HS and DCC option cannot be offered together

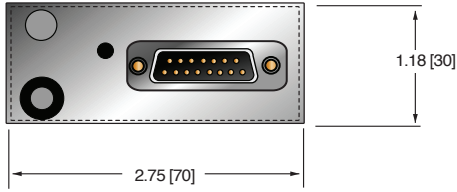
MPS SELECTION TABLE

Model	Output Voltage	Output Current	Ripple (Vpp)
MPS1*10/24	1kV	10mA	<10mV
MPS2*10/24	2kV	5.00 mA	<20mV
MPS2.5*10/24	2.5kV	4.00 mA	<25mV
MPS3*10/24	3kV	3.3mA	<25mV
MPS5*10/24	5kV	2mA	<30mV
MPS10*10/24	10kV	1mA	<50mV
MPS15*10/24	15kV	0.66mA	<100mV
MPS20*10/24	20kV	0.5mA	<150mV
MPS30*10/24	30kV	0.33mA	<250mV

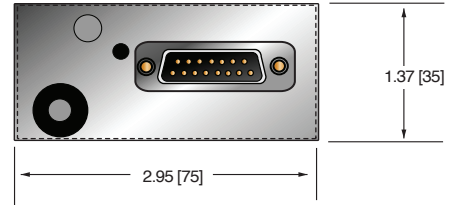
*Specify "P" for positive polarity or "N" for negative polarity. Custom units available.

DIMENSIONS: in.[mm]

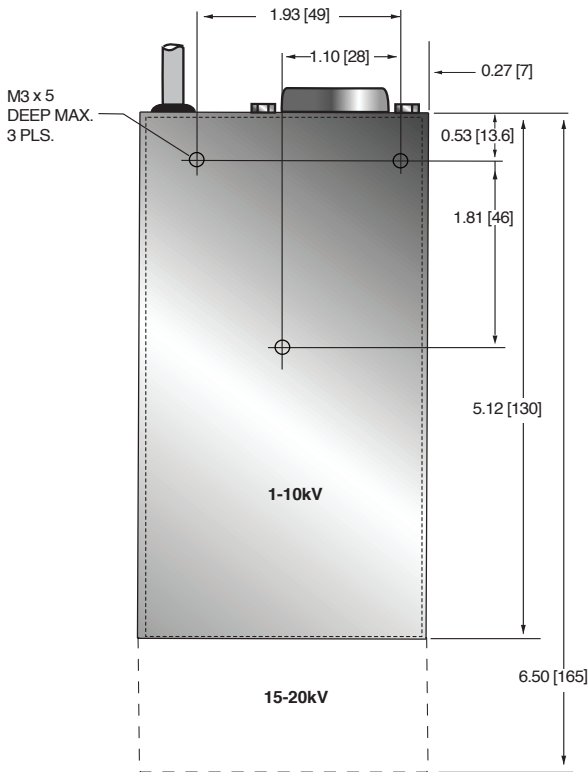
**1-20kV
FRONT VIEW**



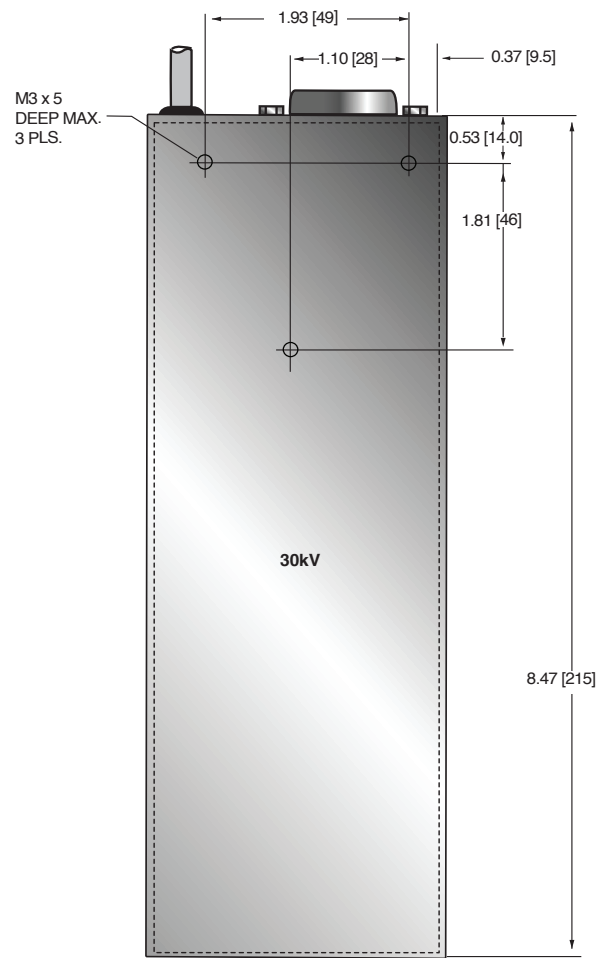
**30kV
FRONT VIEW**



BOTTOM VIEW



BOTTOM VIEW



SIDE VIEW



SIDE VIEW

